

Finished Area Floor Drains

FD-100-ER Floor Drain with Extended Rim Strainer



Model Number	Weight (lbs.)	Str. Size	Outlet Size	Strainer	List Price
FD-102, 3, 4-ER5	11	5"	2,3,4"	nickel bronze	\$1,036.50
FD-102, 3, 4-ER7	12	7"	2,3,4"	nickel bronze	1,115.50
FD-102, 3, 4-ER9	13	9"	2,3,4"	nickel bronze	1,565.50

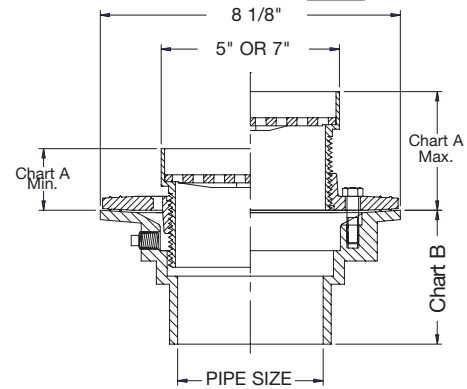


Chart A		
Strainer Dia.	Min.	Max.
5"	1 1/2"	4"
7"	2 1/2"	4"
9"	2 1/2"	4"

Chart B					
Pipe Size	No Hub	Push On	Female Thread	Inside Caulk	PVC/ABS
2"	3 5/8"	4 1/4"	4 1/4"	4 1/2"	4"
3"	3 5/8"	4 1/4"	4 1/4"	4 1/2"	4"
4"	3 5/8"	4 1/4"	4 1/4"	4 1/2"	4"
6"	3 1/2"	-	-	-	-

FD-100-FC Floor Drain with Surface Membrane Clamp



Model Number	Weight (lbs.)	Str. Size	Outlet Size	Strainer	List Price
FD-102, 3, 4-FC7	15	7"	2,3,4"	nickel bronze	\$1,480.00
FD-102, 3, 4-FC9	18	9"	2,3,4"	nickel bronze	2,026.50

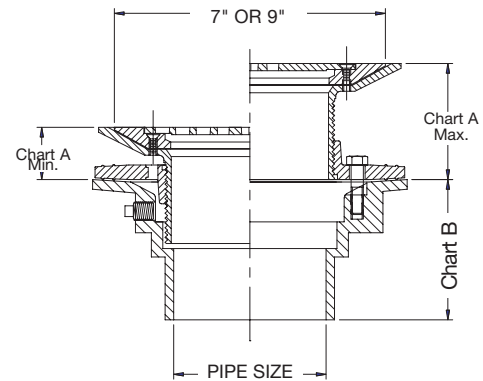


Chart A		
Strainer Dia.	Min.	Max.
7"	2 1/4"	3 3/4"
9"	2 1/4"	3 3/4"

Chart B					
Pipe Size	No Hub	Push On	Female Thread	Inside Caulk	PVC/ABS
2"	3 5/8"	4 1/4"	4 1/4"	4 1/2"	4"
3"	3 5/8"	4 1/4"	4 1/4"	4 1/2"	4"
4"	3 5/8"	4 1/4"	4 1/4"	4 1/2"	4"
6"	3 1/2"	-	-	-	-

Note: Funnels are ordered separately. See page 63 for details.

Options for FD-100 Series:

Suffix	Description	List Price	Suffix	Description	List Price
None	No Hub Outlet	No Add	-13	Galvanized Body	\$195.50
P	Push-On Outlet	No Add	-15	Strainer Extension (DD-50)	141.00
T	Threaded Outlet	\$80.00	-60	PVC Body w/Socket Outlet (2, 3, 4" Only)	No Add
X	Inside Caulk	No Add	-61	ABS Body w/Socket Outlet (2, 3, 4" Only)	No Add
None	6" Outlet No Hub Only	120.00	-F4-50	4" Round Cast Iron Funnel	179.00
-5	Sediment Bucket	108.00	-F4-1	4" Round Nickel Bronze Funnel	428.00
-6	Vandal Proof	54.50	-F6-1	6" Round Nickel Bronze Funnel	625.50
-7	Trap Primer Tapping	No Add	-G-50	4x9" Oval Cast Iron Funnel	423.00
-8	Ball Float Backwater Valve (2,3,4" Only)	377.50	-G-1	4x9" Oval Nickel Bronze Funnel	872.00
			-S0	Side Outlet (2, 3, 4" Only)	218.00

Consult factory for all applications outside of listed parameters.

Prices do not include applicable taxes.

